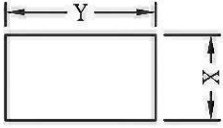
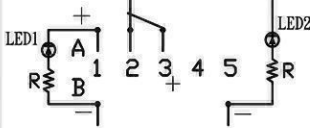
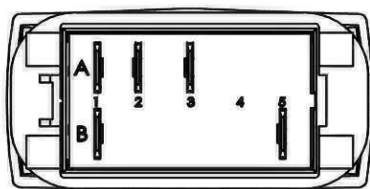
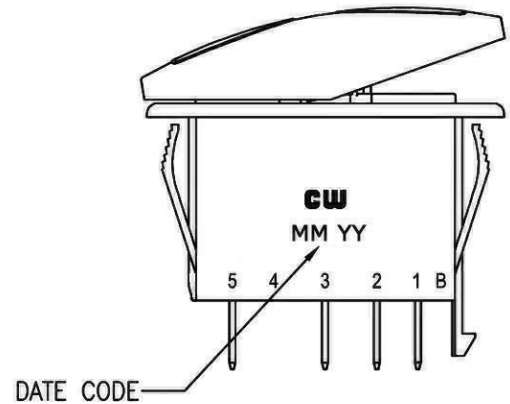
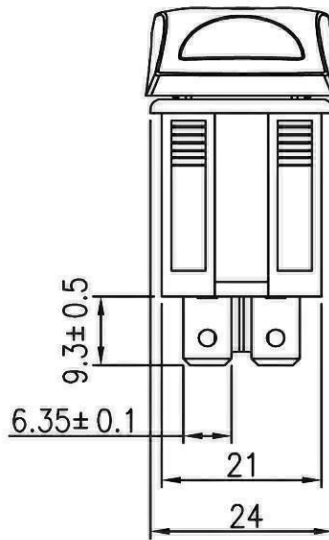
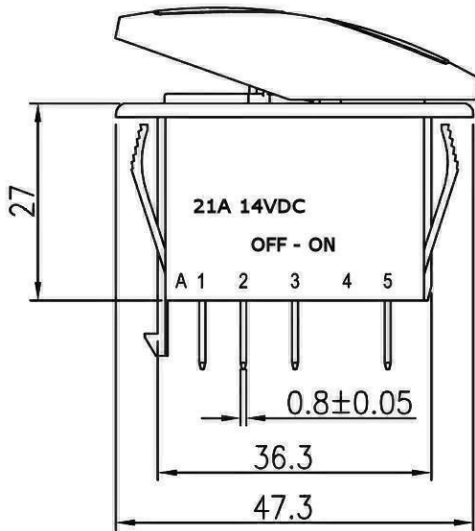
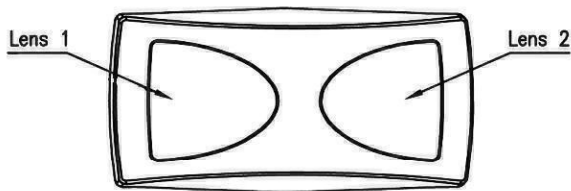


THIS INFORMATION IS CONFIDENTIAL AND PROPRIETARY TO CW INDUSTRIES INCORPORATED AND ITS AFFILIATES. IT MAY NOT BE DISCLOSED TO ANYONE, OTHER THAN CW INDUSTRIES PERSONNEL, WITHOUT WRITTEN AUTHORIZATION FROM CW INDUSTRIES INCORPORATED, SOUTHAMPTON, PENNSYLVANIA USA.

<b>Rating</b>	21A 14VDC											
<b>Contact Resistance</b>	50m ohm Max.											
<b>Insulation Resistance</b>	DC 500V 100M ohm Min.											
<b>Dielectric Strength</b>	AC 1500V 1 minute											
<b>Operation Temperature</b>	-25°~85°											
<b>Switch Function</b>	5P SPST OFF - ON Lamp	<table border="1"> <tr> <th>Thickness(mm)</th> <th>X(mm)</th> <th>Y(mm)</th> </tr> <tr> <td>0.75~1.25</td> <td rowspan="3">21.0<sup>+0.3</sup><sub>0</sub></td> <td>36.6+0.1</td> </tr> <tr> <td>1.25~2.0</td> <td>36.8+0.1</td> </tr> <tr> <td>2.0~3.0</td> <td>37.0+0.1</td> </tr> </table>	Thickness(mm)	X(mm)	Y(mm)	0.75~1.25	21.0 <sup>+0.3</sup> <sub>0</sub>	36.6+0.1	1.25~2.0	36.8+0.1	2.0~3.0	37.0+0.1
Thickness(mm)	X(mm)	Y(mm)										
0.75~1.25	21.0 <sup>+0.3</sup> <sub>0</sub>	36.6+0.1										
1.25~2.0		36.8+0.1										
2.0~3.0		37.0+0.1										
<b>Lamp Type</b>	LED 1 - 12VDC 14V Independent w/resistor LED 2 - 12VDC 14V Dependent w/resistor											

**Material:**

1. Frame: Nylon-66(94V-2) - Black  
Actuator: Nylon-66+33%GF - Black  
Lens 1: PC, Amber  
Lens 2: PC, Green  
Terminal: Silver plated copper  
(excepted lamp terminal)  
Printed: None
2. Waterproof: "IP-67".



TOLERANCE: ±0.3mm UNLESS OTHERWISE SPECIFIED.

RoHS Compliant

3	Added Lamp Type. 12/19/2011.
2	Changed IP-66 to IP-67. 12/13/10
1	Switch Function OFF-ON was ON-OFF. 8/24/10.

**CW INDUSTRIES**  
Southampton, Pa. 18966  
Tel 215.355.7080/www.cwind.com

Date Drawn: 5/20/10

Rev. 3

Unit: mm

Checked By: *G. Guld*

Title: **ROCKER SWITCH**

CW P/N: **GRB292A301BBAG1**