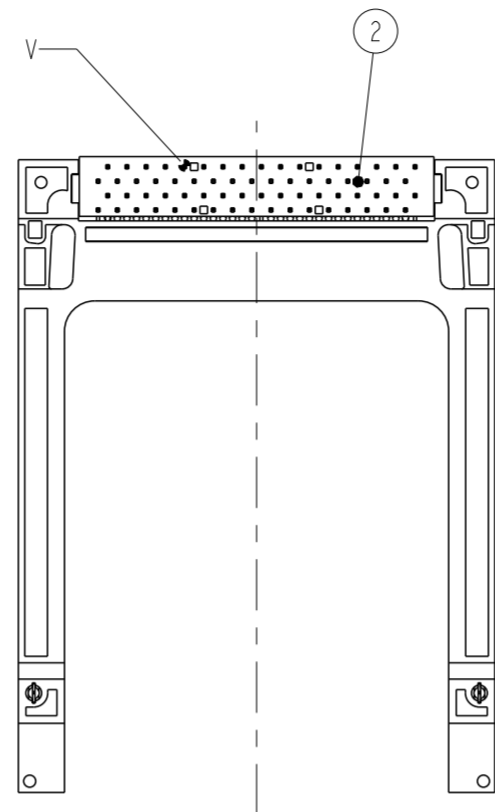
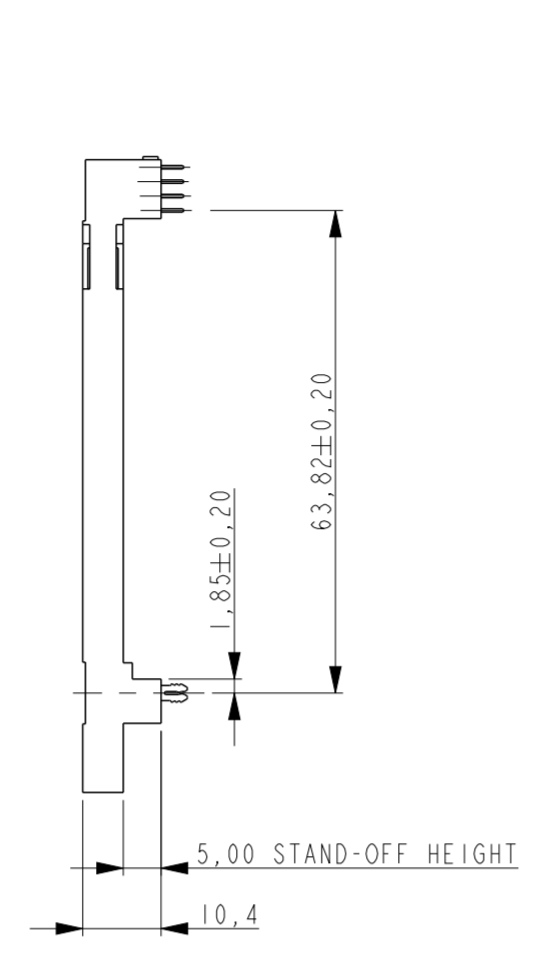
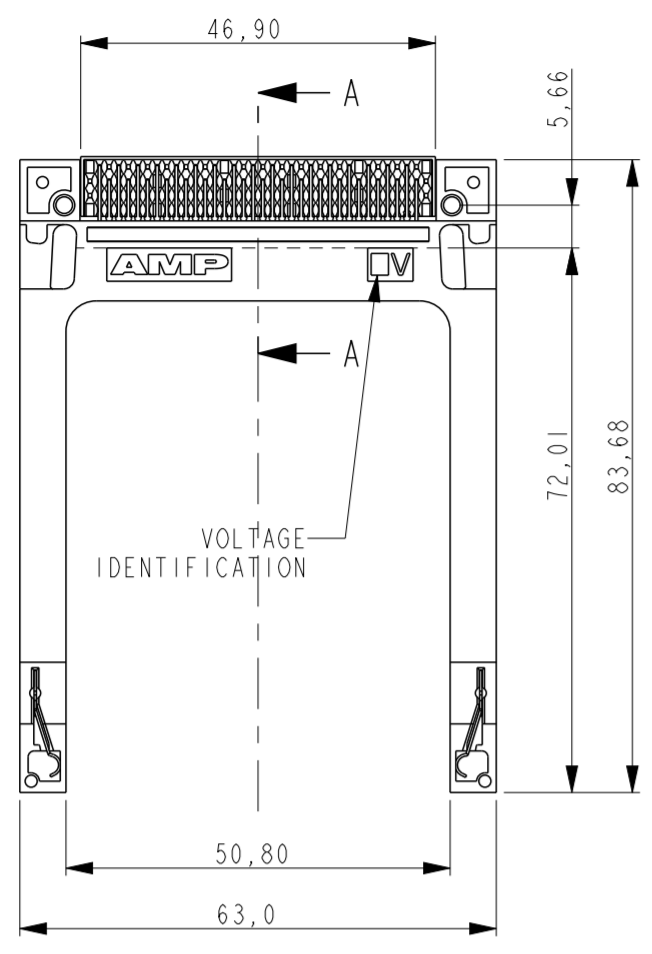


THIS DRAWING IS UNPUBLISHED. RELEASED FOR PUBLICATION  
 © COPYRIGHT - ALL RIGHTS RESERVED.

| LOC |     | DIST          |           | REVISIONS |      |  |  |
|-----|-----|---------------|-----------|-----------|------|--|--|
| P   | LTR | DESCRIPTION   | DATE      | DWN       | APVD |  |  |
|     | CI  | ECR-12-015503 | 31AUG2012 | GG        | RRP  |  |  |



NOTES/SPECIFICATION:

- HEADER ACCEPTS TYPES I, II, & III OF PCMCIA STANDARD MEMORY CARD
- MECHANICAL SPECIFICATION:
  - DURABILITY
    - OFFICE ENVIRONMENT: 10000 CYCLES MINIMUM
    - HARSH ENVIRONMENT: 5000 CYCLES
  - CONTACT RETENTION FORCE: 1Kg MINIMUM
- ELECTRICAL SPECIFICATION:
  - CONTACT RESISTANCE: 40 MILLI OHMS MAX.
  - DIELECTRIC WITHSTANDING VOLTAGE: 500 Vrms FOR 1min.
  - INSULATION RESISTANCE: 1000 MEGA OHMS MIN.
  - CURRENT CAPACITY: 0,5 AMPS PER PIN.
- ENVIRONMENTAL SPECIFICATIONS:
  - STORAGE ENVIRONMENT: -40°C TO +70°C, 95% MAX. RELATIVE HUMIDITY (NON CONDENSING)
  - OPERATION TEMPERATURE: -20°C TO +60°C, 95% MAX. RELATIVE HUMIDITY (NON CONDENSING)
  - THERMAL SHOCK: 6 CYCLES (1 CYCLE PER HOUR) WITH CONNECTOR ENGAGED WITH EXTREMES OF -55°C TO +70°C.

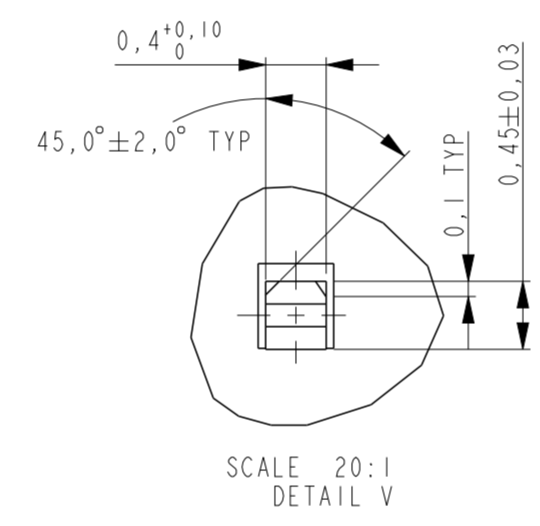
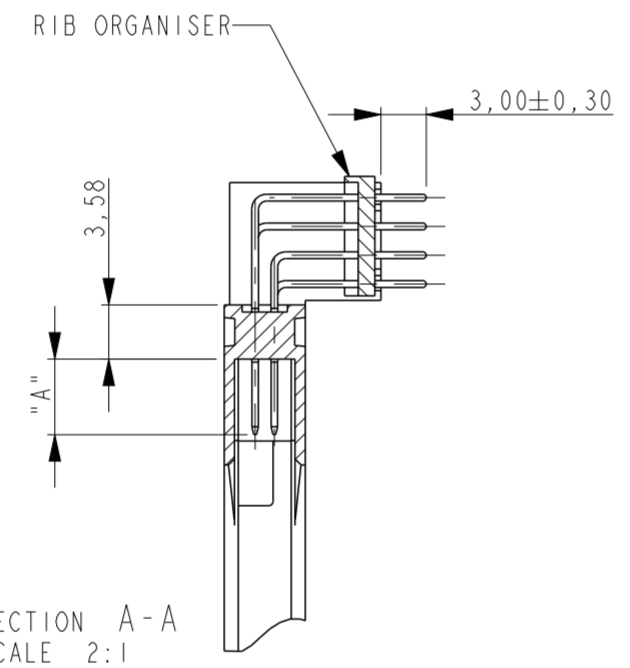
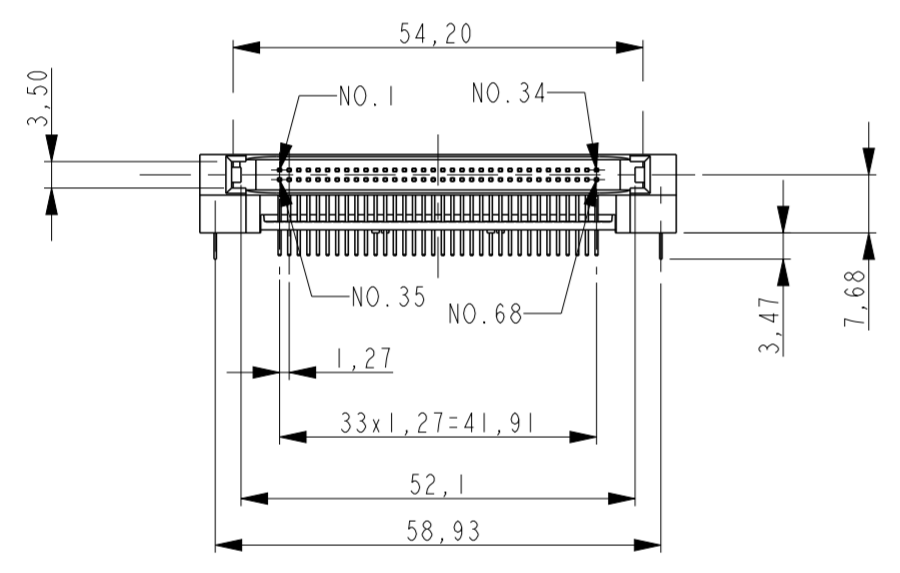
5 LENGTH OF CONTACTS:

| DIM "A" | POSITION No.          |
|---------|-----------------------|
| 5       | 1, 17, 34, 35, 51, 68 |
| 3,5     | 36, 67                |
| 4,25    | THE OTHERS            |

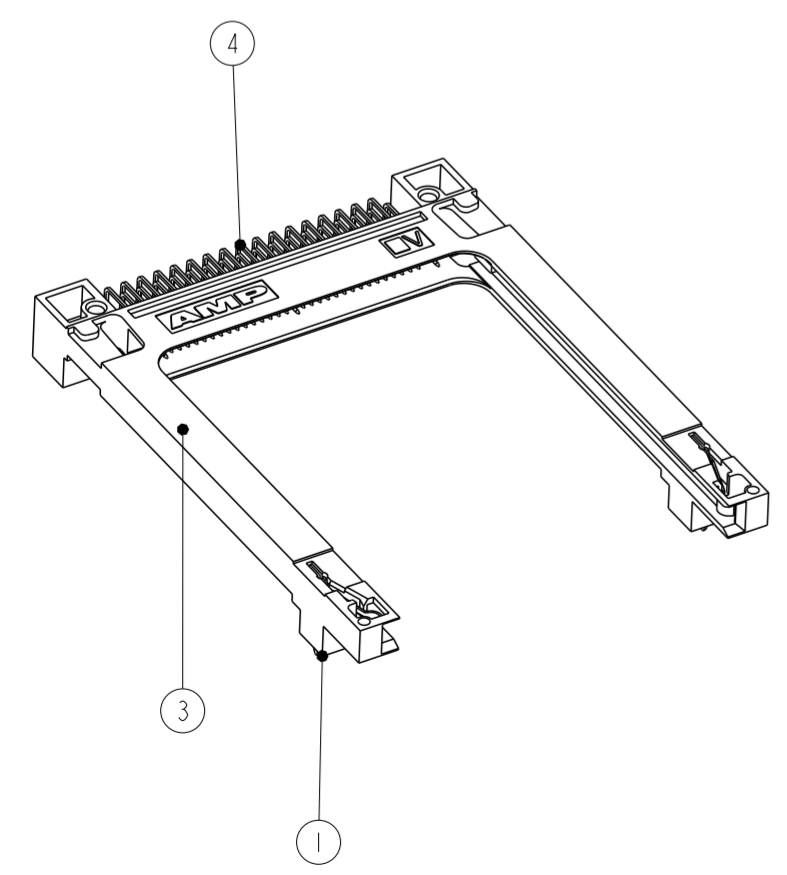
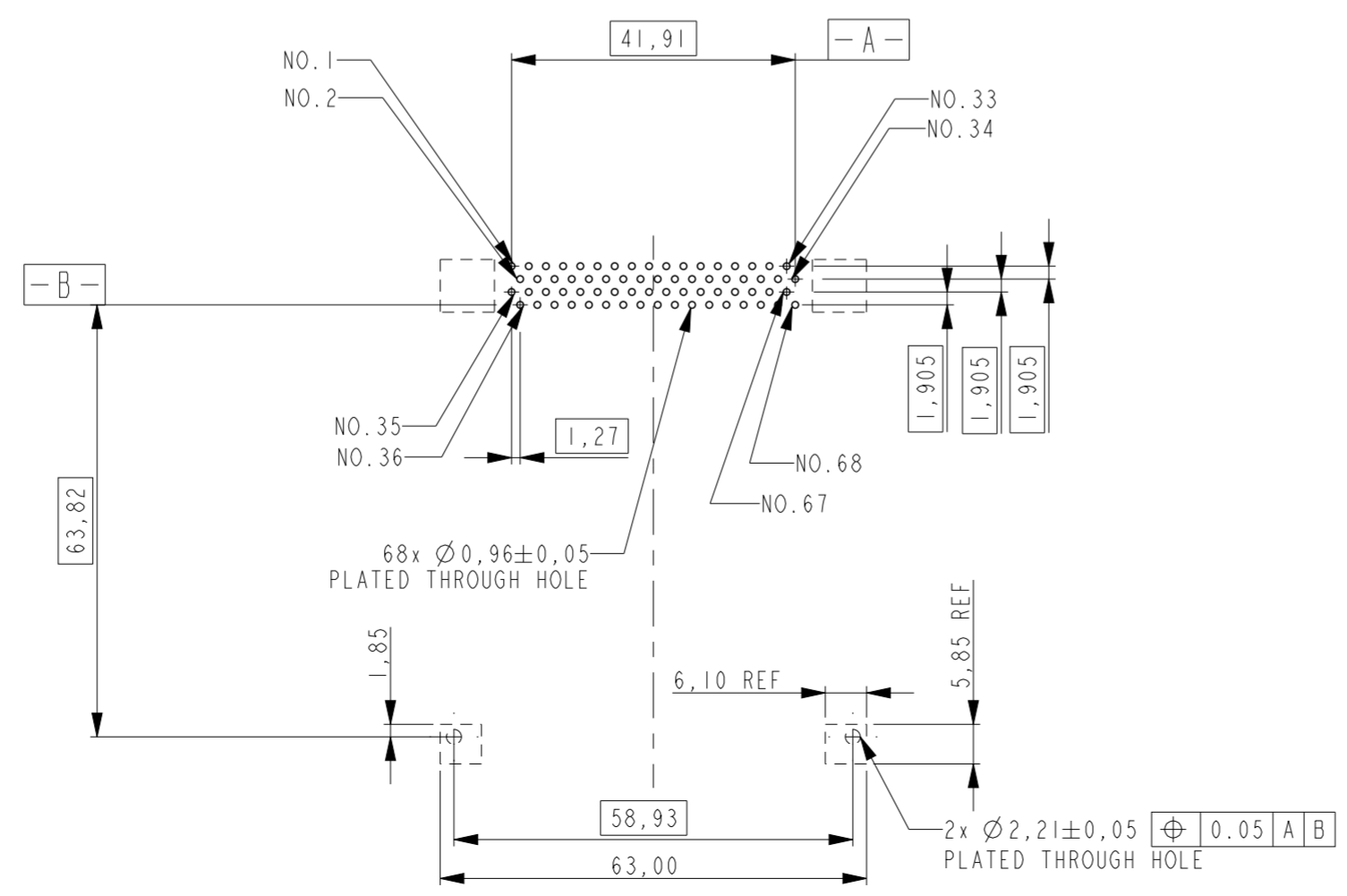
- PLATING OF CONTACT:
  - Ni : 1,5µm MIN. (OVERALL)
  - Au : 0,03µm MIN. (CARD SIDE)
  - TIN: 2µm MIN. (PCB SIDE)
- ALL PARTS PACKAGED IN TRAYS UNLESS REQUESTED:

CONNECTOR TO PRINTED CIRCUIT BOARD ASSEMBLY:

- PLACE THE CONNECTOR ON THE PRINTED CIRCUIT BOARD. THE SOLDER TAILS, RETENT CLIPS SHOULD BE SEATED IN THE RESPECTIVE HOLES.
- PUSH FIRMLY DOWN ON CENTER OF THE HOUSING THEN SOLDER RETENTS. A SLIGHT SNAP IS FELT WHEN THE CONTACT IS FULLY SEATED.
- SOLDER PROCESS ENTIRE PRINTED CIRCUIT BOARD ASSEMBLY.



RECOMMENDED PCB LAYOUT  
 (THICKNESS: 1,60mm ±0,1mm)



|           |                        |
|-----------|------------------------|
| 1955547-2 | 3.3V                   |
| 1955547-1 | 5V                     |
| TE PN.    | VOLTAGE IDENTIFICATION |

| ITEM NO | QTY | DESCRIPTION    | MATERIAL                | FINISH       |
|---------|-----|----------------|-------------------------|--------------|
| 4       | 68  | CONTACT        | COPPER ALLOY            | ⚠            |
| 3       | 1   | HOUSING        | THERMO PLASTIC UL 94 VO | COLOR: BLACK |
| 2       | 1   | ORGANISER      | THERMO PLASTIC UL 94 VO | COLOR: BLACK |
| 1       | 2   | GROUND CONTACT | PHOSPHOR BRONZE         | TIN: 2µm MIN |

|  |  |                           |  |
|--|--|---------------------------|--|
| THIS DRAWING IS A CONTROLLED DOCUMENT.   |  | DWN GUNA 24-MAY-2010      | TE Connectivity<br>PC CARD HEADER HIGH RAISED 5mm WITHOUT BOARD LOCK |
| DIMENSIONS: mm   |  | CHK PREMJJTH 24-MAY-2010  |  |
| TOLERANCES UNLESS OTHERWISE SPECIFIED:   |  | APVD PREMJJTH 24-MAY-2010 |  |
| 0 PLC ±0.2<br>1 PLC ±0.15<br>2 PLC ±0.05<br>3 PLC ±<br>4 PLC ±<br>ANGLES ±<br>FINISH ⚠ |  | PRODUCT SPEC 108-19201    |  |
| MATERIAL SEE TABLE   |  | APPLICATION SPEC          | SIZE A2  |
|  |  | CUSTOMER DRAWING          | CAGE CODE 00779  |
|  |  |                           | DRAWING NO C-1955547   |
|  |  |                           | RESTRICTED TO  |
|  |  |                           | SCALE - SHEET 1 OF 1 REV C1  |