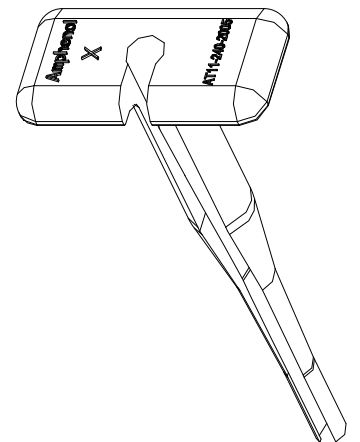
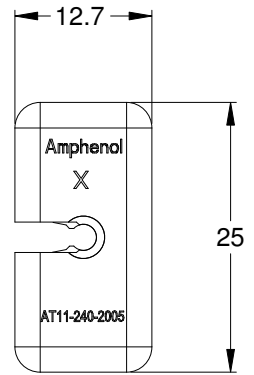
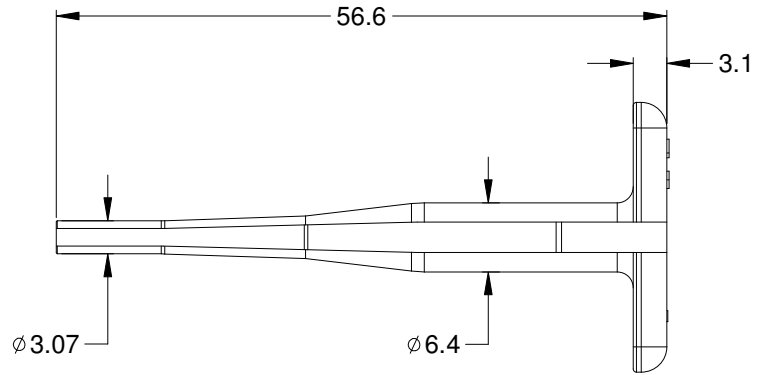


REVISIONS					
REV	ECO	DESCRIPTION	DATE	BY	APPR
A1		RELEASE NEW PRODUCT	16JUN15	ORION	TOMMY



NOTES: UNLESS OTHERWISE SPECIFIED

1. MATERIAL: THERMOPLASTIC; COLOR: RED
2. RoHS COMPLIANT
3. USE WITH AHDP,AHD SERIES
4. ALL DIMENSIONS ARE FOR REFERENCE USE ONLY.

AT11-240-2005		DESCRIPTION		ITEM
PART NUMBER		DESCRIPTION		ITEM
QUANTITY	MATERIALS LIST			
UNLESS OTHERWISE SPECIFIED: 1) All dimensions are in metric(mm). 2) Tolerances are as follows: 1 PL DEC ±0.30 Fractions ±1/64 2 PL DEC ±0.15 Angles ±1° 3 PL DEC ±0.08		SIGNATURES		DATE
3) Note reference =		DRAWN: ORION.LI		16JUN15
MATERIAL SPECIFICATIONS:		CHECKED:		
PROCESS SPECIFICATIONS:		ENGINEER:		
NEXT ASS'Y:		APPROVAL: TOMMY.XIE		16JUN15
		CUSTOMER:		
		THIS DRAWING IS SUPPLIED FOR INFORMATION ONLY. DESIGN FEATURES, SPECIFICATIONS AND PERFORMANCE DATA SHOWN HEREON ARE THE PROPERTY OF THE AMPHENOL CORPORATION. NO RIGHTS OF REPRODUCTION ARE IMPLIED. ALL DIMENSIONS ARE SUBJECT TO NORMAL MANUFACTURING VARIATIONS.		
		<h1>Amphenol</h1> <p>Sine Systems - www.amphenol-sine.com 44724 Morley Drive Clinton Township, MI 48036</p>		
		PROBE TOOL, EXTRACTION SIZE 20		
SIZE	TYPE	DWG NO:	REVISION	
A	C-	AT11-240-2005	A1	
SCALE: NONE		SHEET 1 OF 1		