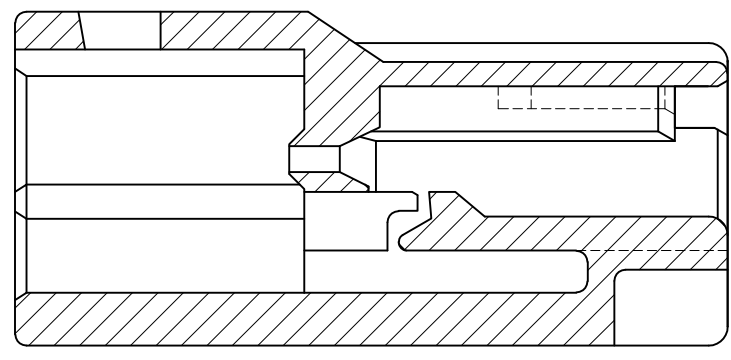
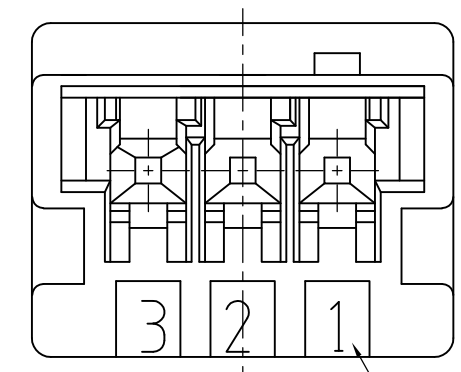
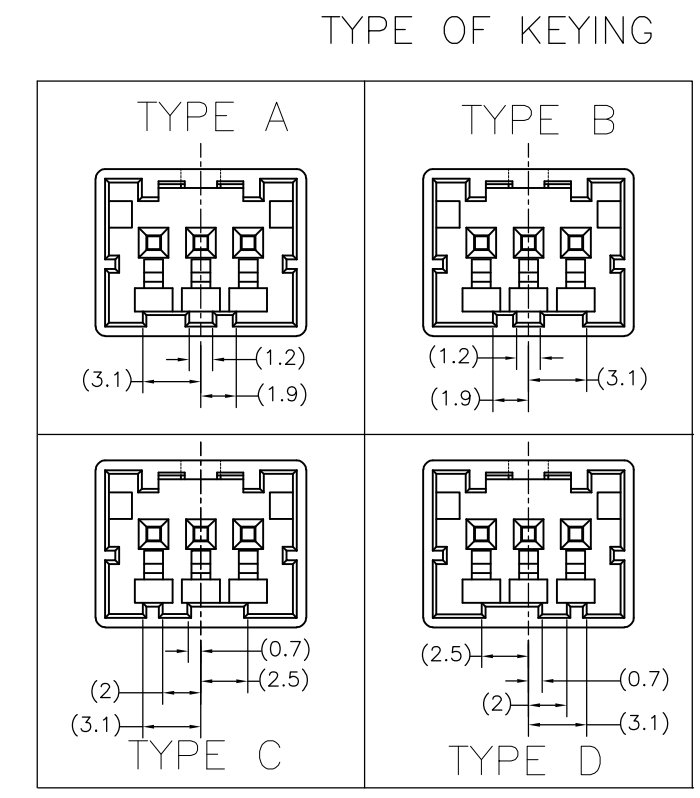
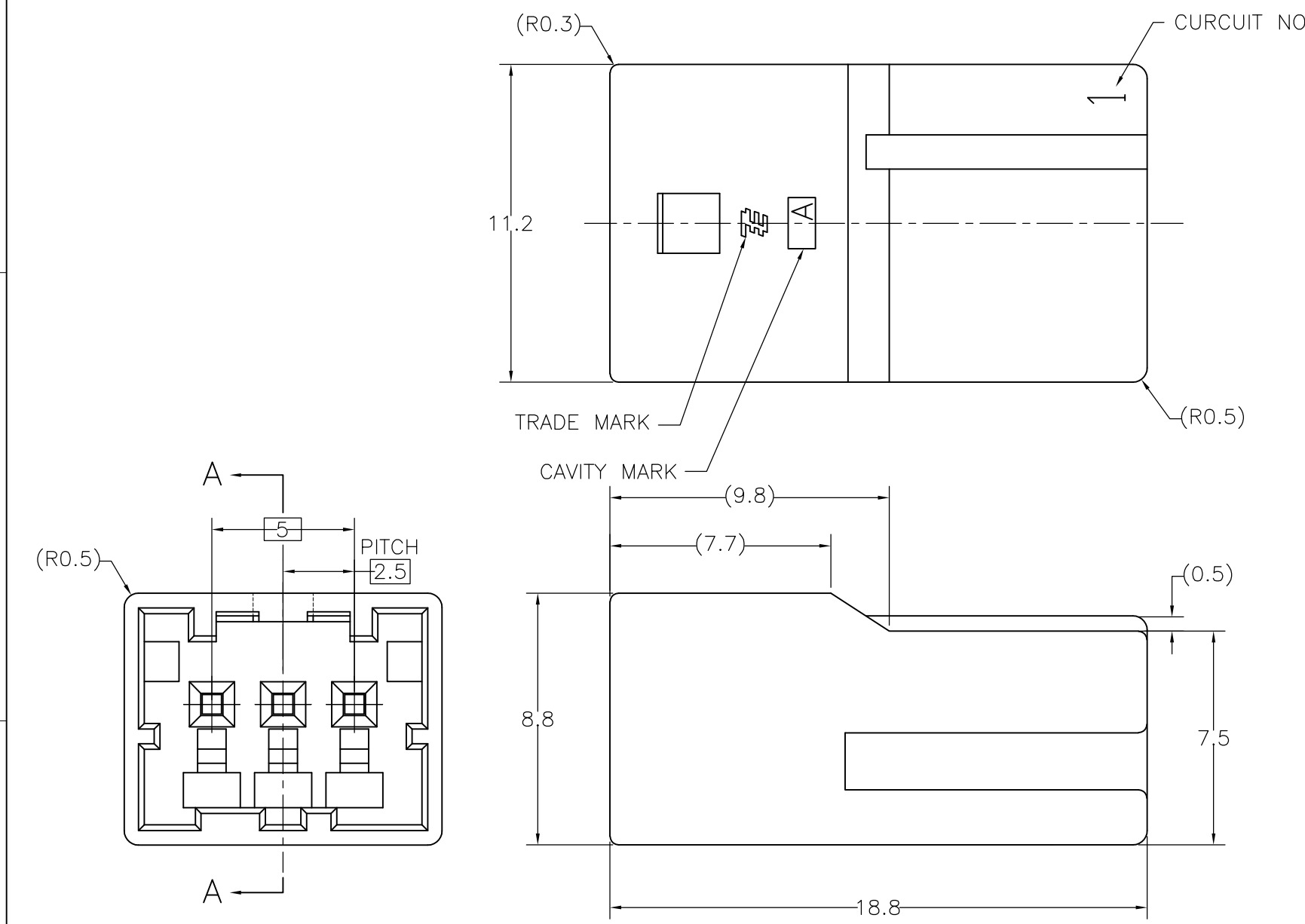


THIS DRAWING IS UNPUBLISHED. RELEASED FOR PUBLICATION
 © COPYRIGHT BY TYCO ELECTRONICS CORPORATION. ALL RIGHTS RESERVED.

LOC	DIST	REVISIONS					
J	—	P	LTR	DESCRIPTION	DATE	DWN	APVD
			B1	REVISED PER ECR-10-019980	04OCT10	HMR	TM



注記
 1. 一般公差: ±0.3
 △ 材料PBTガラス強化(UL94V-0)
 ⊕ かん合相手製品型番
 プラグハウジング: TABLE参照のこと
 タブコンタクト: 917764, 917765

NOTE
 1. GENERAL TOLERANCE: ±0.3
 △ MATERIAL: PBT GLASS FILLED (UL94V-0)
 ⊕ MATING CONN.P/N
 PLUG HOUSING: SEE TABLE
 TAB CONTACT: 917764, 917765

3-1903389-4	TYPE D	YELLOW 黄色	3-1903392-4
2-1903389-3	TYPE C	BLUE 青色	2-1903392-3
1-1903389-2	TYPE B	RED 赤色	1-1903392-2
1903389-1	TYPE A	NATURAL 自然色	1903392-1
かん合相手型番 ⊕ MATING HSG P/N	キーイング形状 TYPE OF KEYING	色調 COLOR	型番 PART NUMBER

THIS DRAWING IS A CONTROLLED DOCUMENT.

DWN J.SATO 31OCT05	Tyco Electronics AMP K.K. Kawasaki, Japan
CHK T.HATANO 31OCT05	
APVD N.YAMASAKI 31OCT05	
PRODUCT SPEC 製品規格 108-78350	
APPLICATION SPEC 取付適用規格	NAME 名称 GRACE INERTIA CONNECTOR 2.5 W CAP HOUSING 3P
WEIGHT	SIZE A3
CUSTOMER DRAWING	CAGE CODE 00779
	DRAWING NO 番号 G-1903392
	RESTRICTED TO —
	SCALE 尺度 5:1
	SHEET 1 OF 1
	REV B1