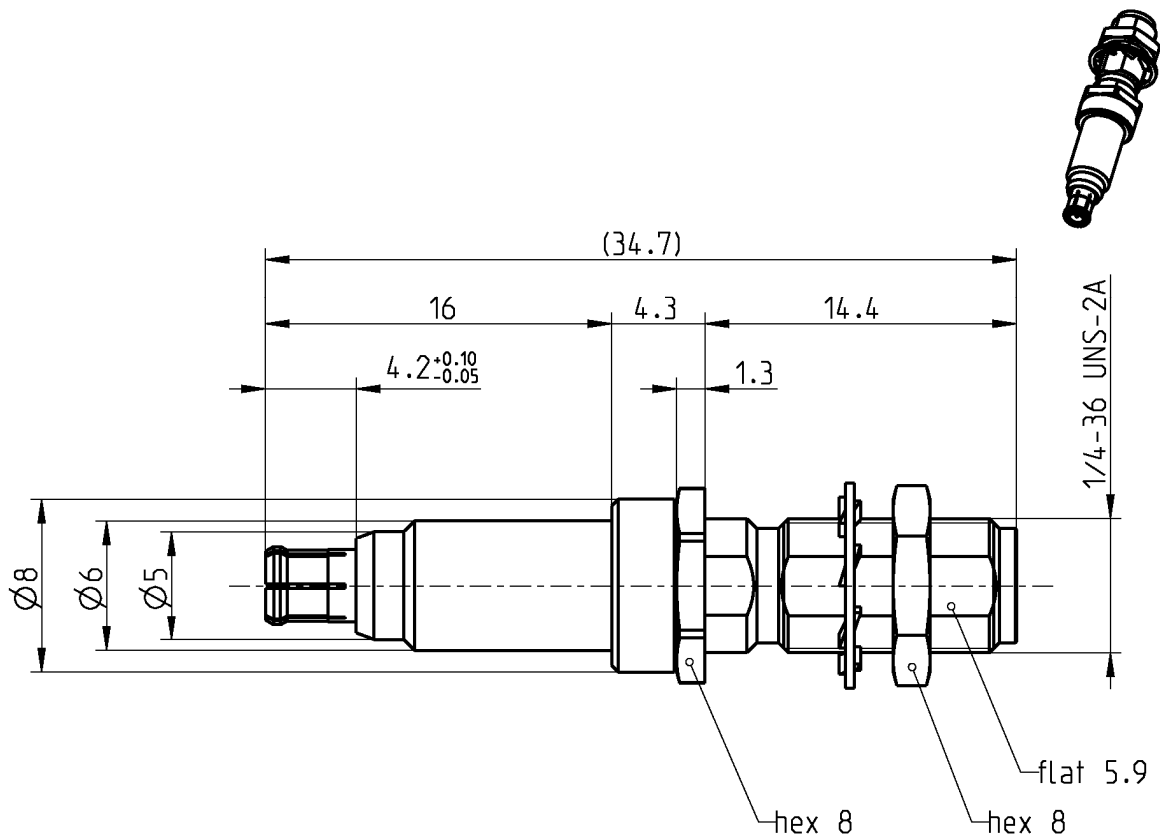


ADAPTOR
mcx plug – sma JACK

29S132-K01N5



All dimensions are in mm; tolerances acc. ISO 2768 m-H

Interface

According to	MCX side:	CECC 22 220, IEC 60169-36
	SMA side:	IEC 60169-15; EN 122110; MIL-STD-348A, Fig. 310

Documents

Panel piercing	B 56
----------------	------

Material and plating

Connector parts

Center contact
Outer contact MCX
Outer contact SMA
Dielectric

Material

Beryllium copper
Beryllium copper
Brass
PTFE

Plating

AuroDur, gold plated
AuroDur, gold plated
Flash white bronze over silver(e.g. Optargen®)

ADAPTOR
mcx plug – sma JACK

29S132-K01N5

Electrical data

Impedance	50 Ω	
Frequency	DC to 6 GHz	
Return loss	≥ 30 dB, DC to 2 GHz	
	≥ 26 dB, 2 to 4 GHz	
	≥ 20 dB, 4 to 6 GHz	
Insertion loss	≤ 0.05 x √f(GHz) dB	
Insulation resistance	≥ 1 GΩ	
Center contact resistance	≤ 5.0 mΩ, MCX side;	≤ 3 mΩ, SMA side
Outer contact resistance	≤ 2.5 mΩ, MCX side;	≤ 2 mΩ, SMA side
Test voltage	750 V rms	
Working voltage	335 V rms	
Contact Current	1.5A DC max.	

Mechanical data

	MCX side	SMA side
Mating cycles	≥ 500	min. 500
Center contact captivation: axial	≥ 27 N	≥ 27 N
Engagement force	≤ 25 N	N/A
Disengagement force	8 N min. to 20 N max.	N/A
Coupling test torque	N/A	max. 1.7 Nm
Recommended torque	N/A	0.8 Nm to 1.1 Nm

Environmental data

Temperature range	-55°C to +155°C
Thermal shock	CECC 22 220, Chapter 4.6.7
Vibration	CECC 22 220, Chapter 4.6.3
Corrosion	CECC 22 220, Chapter 4.6.10
Moisture resistance	CECC 22 220, Chapter 4.6.6
RoHS	compliant

Tooling

N/A

Suitable cables

N/A

Weight

Weight 5.5 g/pce

While the information has been carefully compiled to the best of our knowledge, nothing is intended as representation or warranty on our part and no statement herein shall be construed as recommendation to infringe existing patents. In the effort to improve our products, we reserve the right to make changes judged to be necessary.

Draft	Date	Approved	Date	Rev.	Engineering change number	Name	Date
Inge Mühlauer	30/08/04	Sa. Krautenbacher	13.03.14	d00	14-0352	T. Krojer	13.03.14
Rosenberger Hochfrequenztechnik GmbH & Co. KG P.O.Box 1260 D-84526 Tittmoning Germany www.rosenberger.de					Tel.: +49 8684 18-0 Fax: +49 8684 18-499 email: info@rosenberger.de		Page 2 / 2