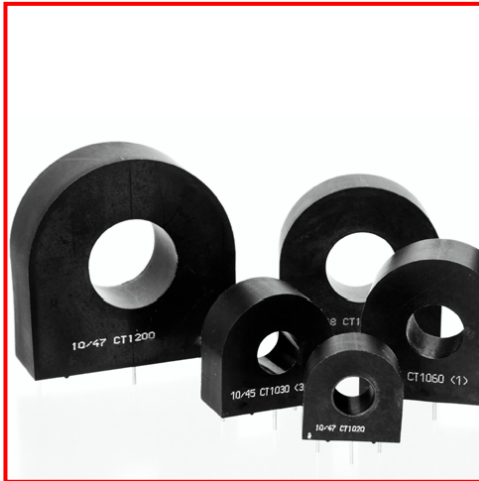


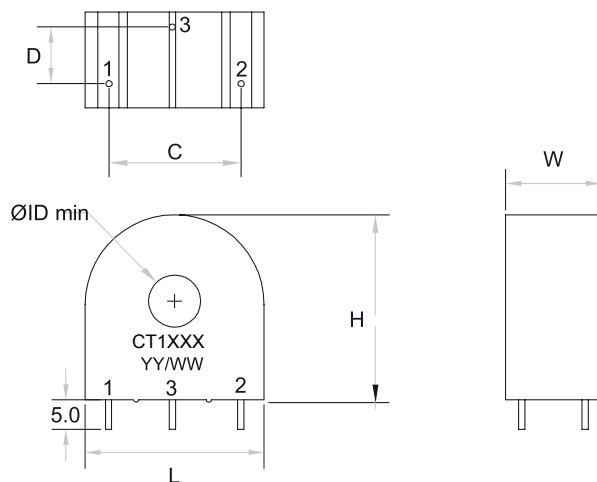
50/60 Hz CURRENT TRANSFORMERS FOR PCB MOUNTING

CT SERIES



FEATURES

- Current range from 5 - 200 A · Frequency 50/60 Hz
- Fully encapsulated
- Primary to secondary insulation 4 kV AC
- Operating temperature range: -40° C to + 120° C
- Fully RoHS compliant
- Place of manufacture is certified according to ISO 9001:2008 / ISO 14001:2004
- More details on request or in the single data sheets



Part No.	I _p Amps	Turns Ratio	Terminating Resistor		DCR (Ω)	RCF	Volts/Amp @rated I _p for various loads (Ω)				I _{ex} uArms	V _{ex} Vrms	Net Weight (grams)	Case Dimensions - mm					
			Ohms	Watt			Nominal	@ 10%	100	500				2K	5K	L	ID	H	W
CT1005	5	1.000:1	100	0.0025	41.80	1.010	0.10	0.46	1.43	2.01	237	0.66	16.3	23.80	9.50	23.80	11.12	15.24	7.62
CT1010	10	1.000:1	100	0.0100	41.80	1.010	0.10	0.45	1.10	1.42	386	1.32	16.3	23.80	9.50	23.80	11.12	15.24	7.62
CT1015	15	1.000:1	100	0.0230	41.80	1.010	0.10	0.45	0.90	1.12	513	1.99	16.3	23.80	9.50	23.80	11.12	15.24	7.62
CT1020	20	1.000:1	100	0.0400	41.80	1.010	0.10	0.43	0.76	0.93	628	2.65	16.3	23.80	9.50	23.80	11.12	15.24	7.62
CT1025	25	1.000:1	100	0.0630	48.00	1.020	0.10	0.47	1.06	1.31	566	3.65	35.5	30.20	11.40	30.20	14.30	20.32	10.16
CT1030	30	1.000:1	100	0.0900	48.00	1.020	0.10	0.47	0.95	1.16	644	4.38	35.5	30.20	11.40	30.20	14.30	20.32	10.16
CT1040	40	1.000:1	100	0.1600	49.30	1.026	0.10	0.46	0.87	1.05	914	5.82	47.3	34.90	14.60	34.90	14.30	25.40	10.16
CT1050	50	1.000:1	100	0.2500	49.30	1.026	0.10	0.43	0.76	0.90	1090	7.28	47.3	34.90	14.60	34.90	14.30	25.40	10.16
CT1060	60	1.000:1	100	0.3600	24.00	1.001	0.10	0.44	0.66	0.76	1250	7.41	65.2	38.10	14.60	38.10	15.90	33.00	10.16
CT1075	75	1.000:1	100	0.5700	24.00	1.001	0.10	0.39	0.57	0.65	1520	9.26	65.2	38.10	14.60	38.10	15.90	33.00	10.16
CT1100	100	1.000:1	100	1.0000	21.30	1.001	0.10	0.34	0.50	0.56	1740	12.00	80.0	44.50	19.05	44.50	14.30	35.56	10.16
CT1150	150	1.000:1	100	2.2500	11.00	1.002	0.10	0.37	0.50	0.55	1820	16.60	150.0	55.60	23.80	55.60	20.60	45.72	12.70
CT1200	200	1.000:1	100	4.0000	11.00	1.002	0.10	0.31	0.41	0.45	2340	22.20	150.0	55.60	23.80	55.60	20.60	45.72	12.70

Notes:

- 1) Terminating resistor and the one-turn primary are available if requested.
- 2) Each Model adjusted to be most accurate at specified load.
- 3) Pin 3 for mechanical support only

AMGIS, LLC * 10836 Kinghurst St. Houston, TX 77099

Phone: 832-775-1319 * Fax: 832-775-1317* email: sales@amgistoroids.com

Toll Free: 877-762-6447 * www.amgistoroids.com