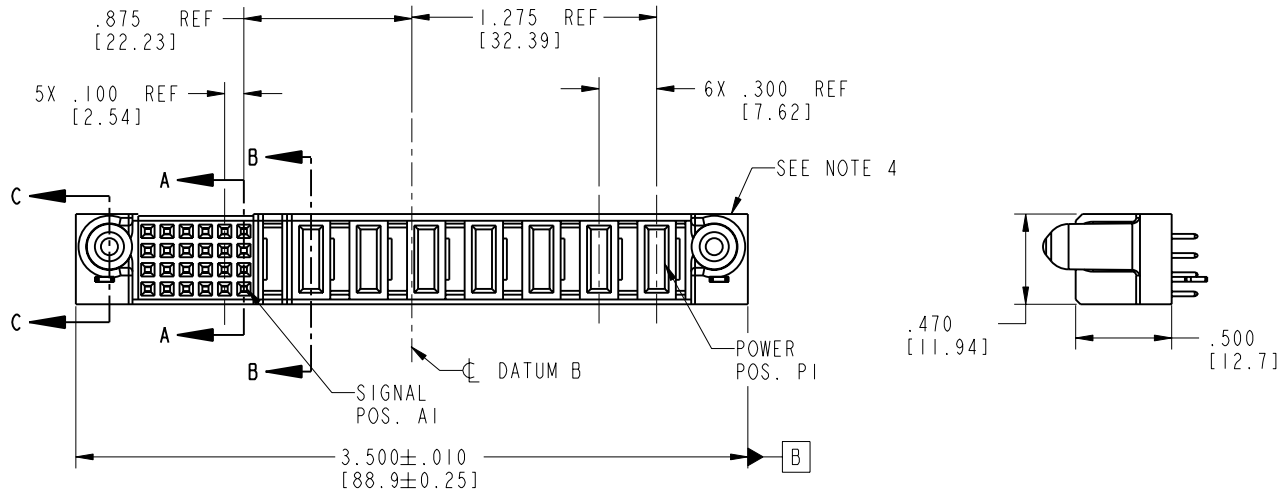


Tous droits strictement réservés. Reproduction ou communication o des liens interdité sous quelque forme que ce soit sans autorisation écrite du propriétaire. Propriété de c FCI. Droits de reproduction FCI.



All rights strictly reserved. Reproduction or issue to third parties in any form whenever is not permitted without written authority from the proprietor. Property of FCI. Copyright FCI.

PRODUCT NO.	ROWS	SIGNAL					POWER									
		E2	6	5	4	3	2	1	P7	P6	P5	P4	P3	P2	P1	E1
51940-104-- NOTE: 3	D C B A		E	E	E	E	E	E	PA	PA	PA	PA	PA	PA	PA	



CODE	DIM "M" MATING LENGTH	CONTACT TYPE
E	N/A [N/A]	SIGNAL
PA	.042 [1.07]	POWER
HA	N/A [N/A]	HOLD-DOWN

mat'l code				SEE NOTE 2		tolerances unless otherwise specified		CUSTOMER		FCI	
lfr	ecn no.	dr	date	linear	.XX ± .01 / 0.X ± 0.3	projection		COPY		www.fciconnect.com	
A	V04-0907	TAB	09/09/04		.XXX ± .005 / 0.XXX ± 0.13	INCH/MM		title		7P + 24S	
B	V04-0951	TAB	09/24/04	angles	.XXX ± .0020 / 0.XXX ± 0.051	scale		product family		PwrBlade	
C	V04-1034	TAB	10/19/04		0° ± 2°	1:1		size		dwg no	
D	DG06-0252	JMG	06/27/06	dr	T. BRUNGARD 09/09/04			code		213	
				engr	M. GRAY 09/09/04			sheet		1 of 4	
				chr	M. GRAY 09/09/04			A		51940-104	
				appd	M. GRAY 09/09/04			cage code		22526	
sheet index	revision sheet	D	D	D	D						
		1	2	3	4						

1 | 2

Pro/E

3 |

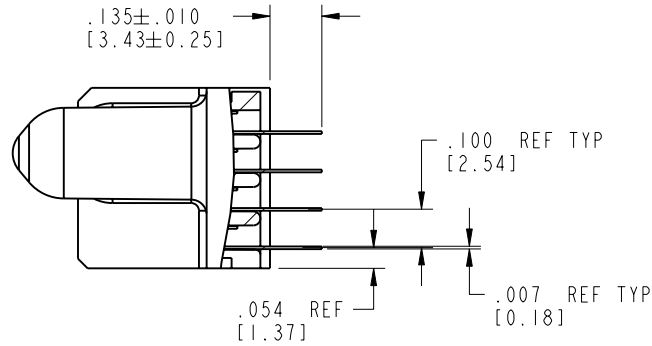
cage code 22526

4

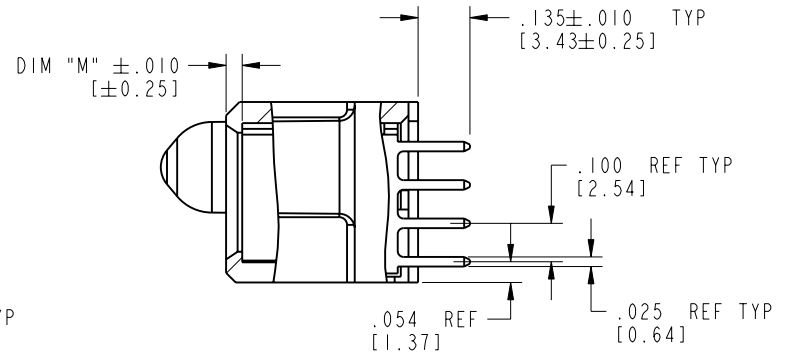
Tous droits strictement réservés. Reproduction ou communication o des liers interdite sous quelque forme que ce soit sans autorisation écrite du propriétaire. Propriete de c FCI. Droits de reproduction FCI.

All rights strictly reserved. Reproduction or issue to third parties in any form, whatever is not permitted without written authority from the proprietor. Property of FCI. Copyright FCI.

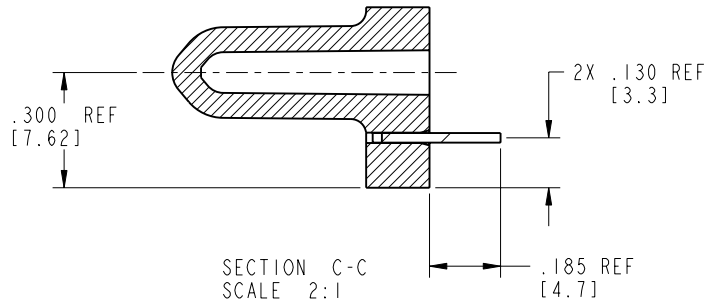
PRODUCT NUMBER
51940-104__
NOTE: 3



SECTION A-A
SCALE 2:1



SECTION B-B
SCALE 2:1



SECTION C-C
SCALE 2:1

mat'l code				SEE NOTE 2		tolerances unless otherwise specified		CUSTOMER		FCI	
ltr	ecn no.	dr	date	linear	.XX ± .01/0.X ± 0.3	projection	COPY	www.fciconnect.com			
D				linear	.XXX ± .005/0.XX ± 0.13	INCH/MM		title		7P + 24S	
				angles	.XXX ± .0020/0.XXX ± 0.051	scale		VERTICAL SOLDER RECEIPT		product family	
				dr	T. BRUNGARD 09/09/04	1:1		PwrBlade		code	
				enr	M. GRAY 09/09/04			size		213	
				chr	M. GRAY 09/09/04			dwg no		sheet	
				appd	M. GRAY 09/09/04			A 51940-104		2 of 4	
sheet index		revision sheet									

cage code 22526

Pro/E

PDM: Rev:D

STATUS: Released

Printed: Dec 20, 2010

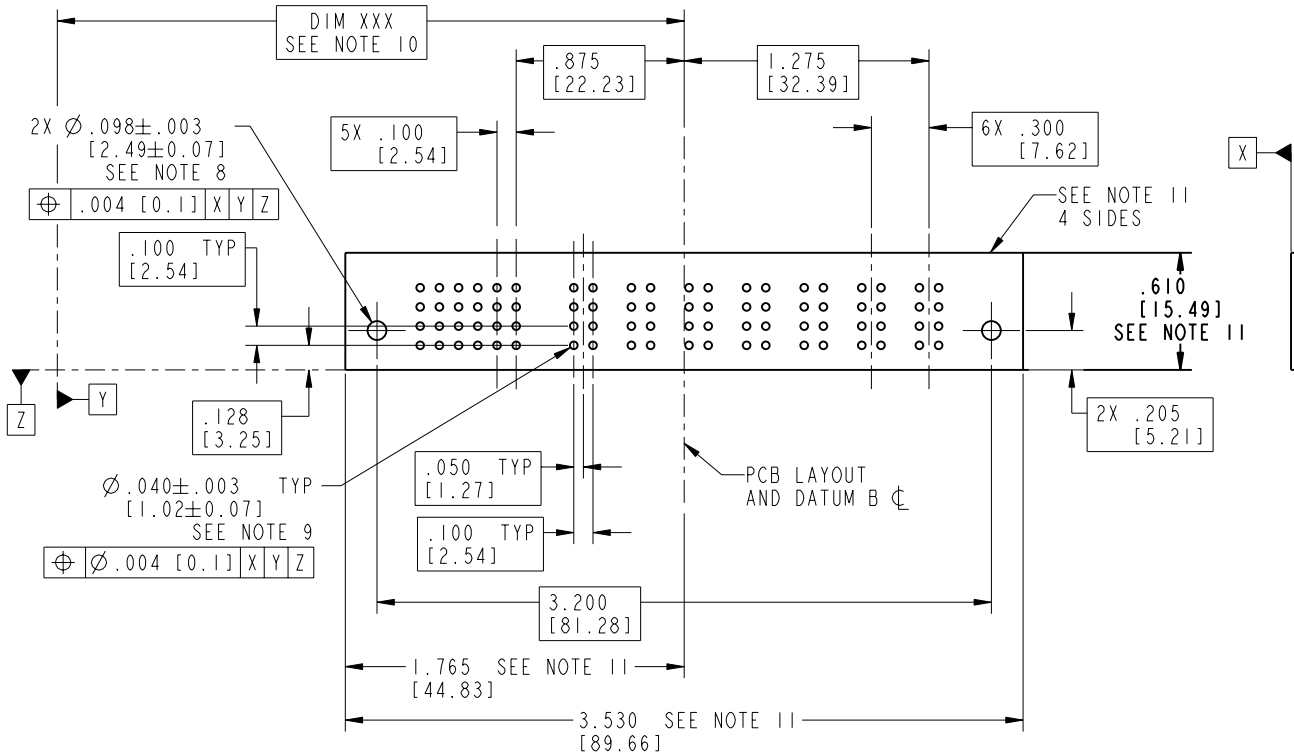
Tous droits strictement réservés. Reproduction ou communication o des liers interdite sous quelque forme que ce soit sans autorisation écrite du propriétaire. Propriete de c FCI. Droits de reproduction FCI.



All rights strictly reserved. Reproduction or issue to third parties in any form, whatever is not permitted without written authority from the proprietor. Property of FCI. Copyright FCI.

PRODUCT NUMBER

51940-104__
NOTE: 3



mat'l code		SEE NOTE 2		tolerances unless otherwise specified		CUSTOMER		FCI	
lfr	ecr no.	dr	date	linear	.XX±.01/0.X±0.3	COPY		www.fciconnect.com	
D				angles	.XXX±.005/0.XX±0.13 .XXX±.0020/0.XX±0.051	projection		title 7P + 24S	
				dr	T. BRUNGARD 09/09/04	INCH/MM		VERTICAL SOLDER RECEPT	
				enrg	M. GRAY 09/09/04	scale		product family PwrBlade code 213	
				chr	M. GRAY 09/09/04	1:1		size dwg no	
				appd	M. GRAY 09/09/04			A 51940-104 sheet 3 of 4	
sheet index	revision sheet								

Pro/E

cage code 22526

PDM: Rev:D

STATUS: Released

Printed: Dec 20, 2010

Tous droits strictement reserves. Reproduction ou communication o des liers interdite sous quelque forme que ce soit sans autorisation ecrite du proprietaire. Propriete de c FCI. Droits de reproduction FCI.



All rights strictly reserved. Reproduction or issue to third parties in any form, whatever is not permitted without written authority from the proprietor. Property of FCI. Copyright FCI.

1 | 2

3 |

4

PRODUCT NUMBER

51940-104__
NOTE: 3

NOTES:

1. DIMENSIONS AND TOLERANCES ARE IN ACCORDANCE WITH ASME Y14.5M, 1994 UNLESS OTHERWISE SPECIFIED.

CONNECTOR NOTES:

- 2 HOUSING MATERIAL: UL 94 V-0 GLASS FILLED
HIGH-TEMP THERMOPLASTIC
POWER CONTACT MATERIAL: COPPER ALLOY
SIGNAL PIN MATERIAL: COPPER ALLOY
- 3. 51940-104;51940-104LF;51940-104GLF PLATING SPEC. SEE PRINT:10064183
- 4 MANUFACTURER'S NAME, P/N, AND DATE CODE TO APPEAR ON THIS SURFACE.
- 5. PRODUCT SPECIFICATION GS-12-149.
APPLICATION SPECIFICATION BUS-20-067.
- 6. PACKAGED IN TRAYS.

PCB NOTES:

- 7. ALL HOLE DIAMETERS ARE FINISHED HOLE SIZE.
- 8 MOUNTING HOLES, WHERE APPLICABLE, ARE UNPLATED.
- 9 $\varnothing .0453 \pm .0010$ [1.151 \pm 0.025] DRILLED HOLES PLATED WITH .0003 [0.008] MIN SnPb OVER .001 [0.03] TO .003 [0.08] Cu PLATING TO ACHIEVE $\varnothing .040 \pm .003$ [1.02 \pm .07] HOLE.
- 10 "DIM XXX" TO BE DETERMINED BY THE CUSTOMER.
- 11 CONNECTOR KEEP-OUT ZONE.

mat'l code		SEE NOTE 2		tolerances unless otherwise specified		CUSTOMER		FCI	
lfr	ecn no.	dr	date	linear	.XX \pm .01/0.X \pm 0.3	COPY		www.fciconnect.com	
D				projection	.XXX \pm .005/0.XX \pm 0.13	title		7P + 24S	
				angles	.XXX \pm .0020/0.XXX \pm 0.051	VERTICAL SOLDER RECEPT			
				dr	T. BRUNGARD 09/09/04	INCH/MM		product family PwrBlade	
				enrg	M. GRAY 09/09/04	scale		code 213	
				chr	M. GRAY 09/09/04	1:1		size	
				appd	M. GRAY 09/09/04	A		dwg no 51940-104	
sheet index	revision sheet							sheet 4 of 4	

1 | 2

Pro/E

3 |

coge code 22526

4