

Ø 36 mm 30 Watts 30 W Part number 82740402



- Nominal power 20 W
- Long service life
- High power
- With varistor EMC filtering

Part numbers

	Type	Type	Voltage
82740402	30 W	827404	24 V

Specifications

No-load characteristics

Speed of rotation (rpm)	5800
Absorbed power (W)	2,6
Absorbed current (A)	0,11

Nominal characteristics

Speed (rpm)	4800
Torque (mNm)	40
Usable power (W)	20
Absorbed power (W)	26
Absorbed current (A)	1,1
Gearbox case temperature rise (°C)	40
Efficiency (%)	77

General characteristics

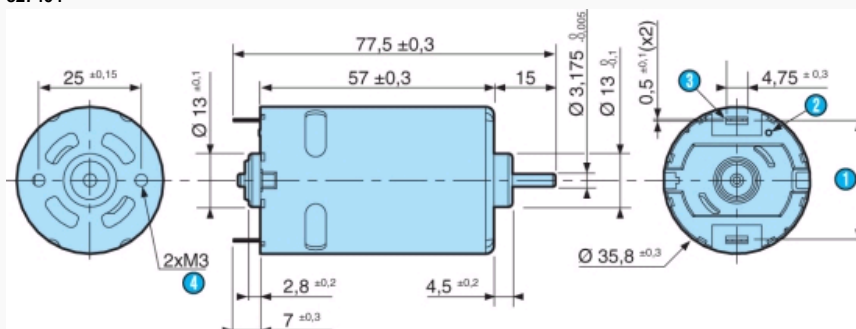
Coil wire insulation class	H
Protection rating	IP 20
Max. output power (W)	30
Start torque (mNm)	200
Starting current (A)	5,7
Resistance (Ω)	4,2
Inductance (mH)	5,2
Torque constant (Nm/A)	0,035
Electrical time constant (ms)	1,24
Mechanical time constant (ms)	19,24
Thermal time constant (mn)	15,5
Inertia (g.cm ²)	45
Weight (g)	200
Number of segments	5
Service life (h)	2000
Sintered bronze bearings	■

Made to order products, available on request

- 1, 5 or 12 pulse encoder
- Characteristics as per specification

Dimensions (mm)

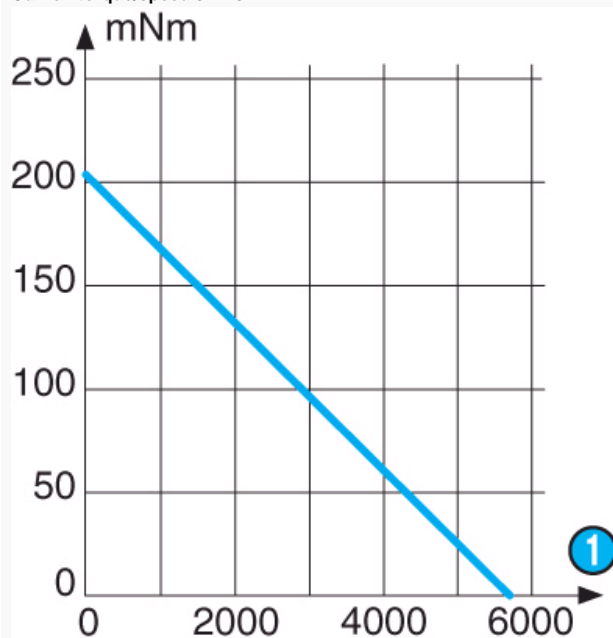
827404



N°	Legend
①	29 REF
②	Red dot
③	Tag
④	2 x M3, depth 3 max.

Curves

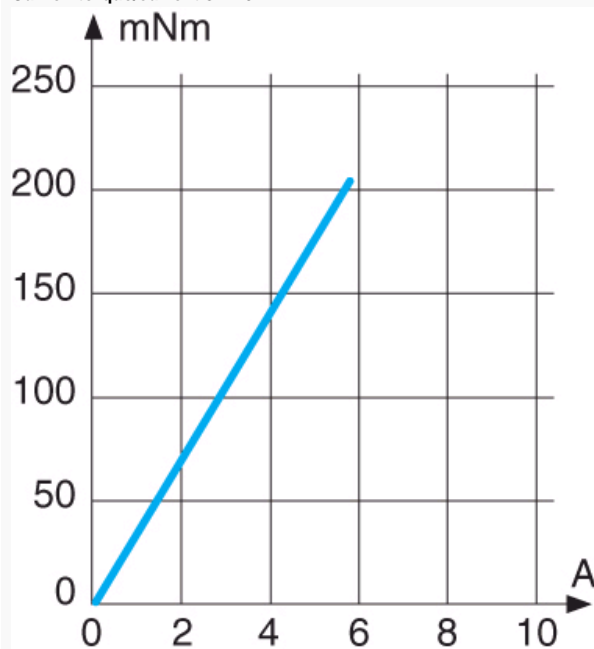
Curve : torque/speed 827404



N°	Legend
①	rpm

Curves

Curve : torque/current 827404



Product adaptations



- Encoder between 1 and 48 pulses/revolution
- Push-fit pinion
- Additional connectors